

C-120x Solid Core Analog Series

20A Range | 0 - 5 VDC, 0 - 10 VDC, 4 - 20 mA



ANALOG



Easy Installation--the industry's smallest sensor

- Fits in small starter enclosures typically associated with exhaust fans
- Screw mount or use plug in iris to hang directly on wire--eliminates alignment issues
- Easy to wire (polarity sensitive)

Cost-effective

- Reduced labor cost compared to differential pressure switches
- Less expensive than 277V relays for lighting status

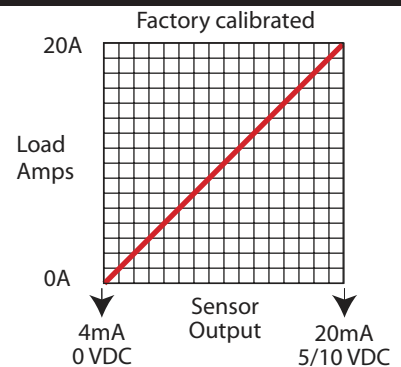
Reliable

- 100% solid state, no moving parts to fail
- Industry leading 7 year warranty

The industry's smallest sensor



Ideal for load trending & control



Sensor	0V	5VDC	C-1203
Output	4mA	20mA	C-1205

The C-120x series provides an output signal directly proportional to measured amperages, up to 20A. Two different output versions are available: 0-5VDC, 4-20mA loop powered.

Typical applications include:

- Load trending
- Process Control
- Fan and pumps



C-120x Solid Core Analog Series

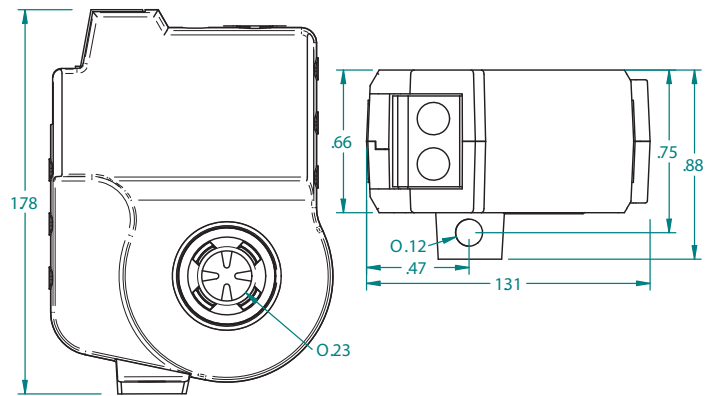
20A Range | 0 - 5 VDC, 0 - 10 VDC, 4 - 20 mA

SPECIFICATIONS		
Sensor only	C-1203	C-1205
Amperage Range	30A, 60A, 120A Selectable	30A, 60A, 120A Selectable
Sensor Output Type	0 - 5 VDC	4 - 20mA
Sensor Power	Self-powered	Loop-powered, 30V DC max
Temperature Rating	-15-60 °C	
Insulation Class	600V RMS. For use on insulated conductors only! Use minimum 75 °C insulated conductor	
Frequency Range	50/60Hz	
Dimensions (LxWxH)	1.78" x 1.32" x 0.66" (1.4" H with optional command relay)	
Sensor Aperture	0.75"	

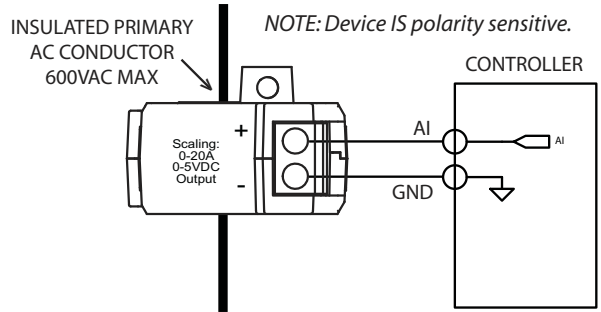
Size comparison to the competition



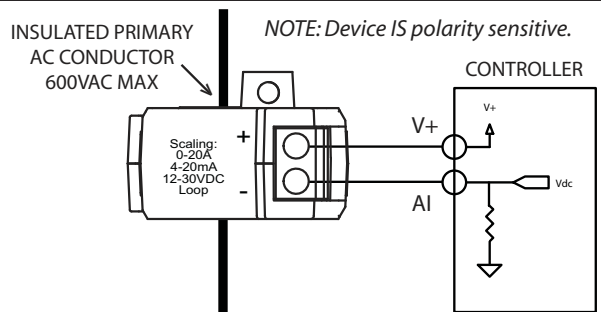
Dimensions for C-1205 Analog



Wiring for C-1203 Analog



Wiring for C-1205 Analog



ORDERING INFORMATION	
Model	Output
C-1203	0-5 VDC
C-1205	4-20 mA



AutoSet

PreSet

Go/No

Analog

Additional Information