

Electronics

GBU Electrotech/ Woertz-USA
 151 Discovery Drive #112
 Colmar, PA 18915
 Tel 1 (215) 997-8855
 Fax 1 (215) 822-7632
 E-mail info@gbuelectrotech.com

Preliminary Information

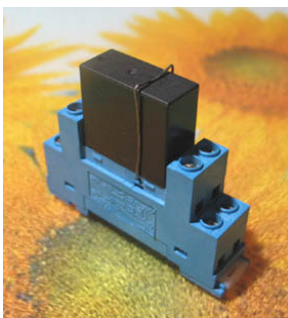
Dual Optocouplers

Features

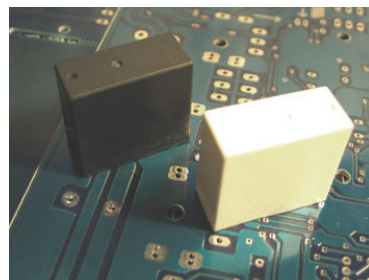
- A range of dual optocouplers in **Electrobrick** plug-and-play enclosures (same shape as the common industrial relays).
- Compact (8mm/optocoupler), flexible and easily exchanged.
- Delivered with a low-cost DIN rail socket, with quality screw terminals and a metal clip.
- Wide range in- and output voltage.
- Available with or without LEDs
- Special voltages on request, without extra cost (min. 25 pieces)
- With high isolation voltage and distance.
- Other versions available: high power version, fast version, other specifications, built-in filters, time delay etc.

Available accessories

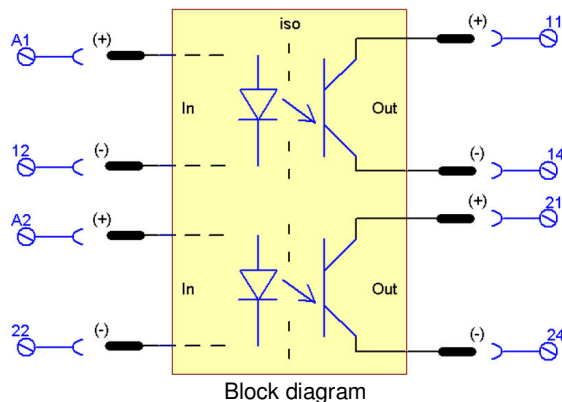
- Jumpers



Optocoupler module fixed on the DIN rail socket



Single modules can be ordered without sockets, for PCB mounting



Technical data (Ta = 25°C)

Output

Switching voltage
 Max. continuous current
 Max. transient current DC version
 Voltage drop (at 0.5x I_{max}) DC version

DC in, low power
100mA DC output
 1-35VDC
 100mA
 0.15A
 ~0.7V

DC in, mid. power
1A DC output
 to be defined

Input

Operating voltage
 Input current
 Sure on level
 Sure off level
 Max. switching freq (res. load) DC ver.

See below
 ca. 2-15mA
 See below
 4V
 ~400Hz

General data

Input / output dielectric strength
 Operating temperature range
 Max. wire cross section
 Socket max. Size L x W x H
 Module max. size LxWxH (w/o pins)
 Module pin size
 PCB hole size

2.5kV, 3mm	2.5kV, 3mm
-20°C to +50°C	-20°C to +50°C
6mm ² (AWG10)	6mm ² (AWG10)
16 x 68.5 x 50.5mm	16 x 68.5 x 50.5mm
29x12.8x25.5mm	29x12.8x25.5mm
0.64x0.64mm, length approx. 5mm	0.64x0.64mm, length approx. 5mm
1.1mm	1.1mm

Control voltage

Order numbers*: 11-55VDC, w/o LEDs
 11-55VDC, with LEDs

EB-O30E-24VD
 EB-O30E-24VDL

to be defined
 to be defined

* **O30M..**= only module without socket